

List of Parts

for the

Howard 360° Twin Engine

WHEN ORDERING PARTS, BE SURE YOU QUOTE THE ENGINE NUMBER AND THE **PART** NUMBER — **NOT** THE ILLUSTRATION NUMBER.

"LEFT" and "RIGHT" mean left and right looking from the back of the machine.

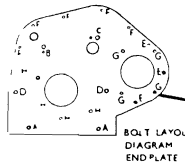
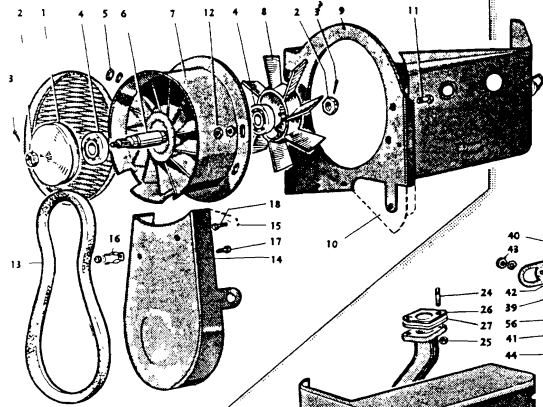
BLOWER UNIT (Front or Side Starting)

Illust. No.	Part No.	Description	No. off.
1	26808	Pulley	1
2		Slotted Nut $\frac{1}{2}$ " B.S.F.	2
3		Splitpin $\frac{3}{8}$ " dia x $1\frac{1}{4}$ " long	2
4	DN.2062	Ballbearing $1\frac{3}{8}$ " o.d. x $\frac{5}{8}$ " i.d. x $\frac{7}{16}$ " W.	2
5		Nut $\frac{3}{8}$ " B.S.W. Nyloc (NT/V.126)	1
		Washer $\frac{3}{8}$ " dia.	1
6	26807	Shaft	1
7	26778	Blower Housing	1
8	26809	Fan	1
9	26820	Cowling and Support Plate (Front Starting)	1
10	26781	Cowling Support Plate (Side Starting)	1
11		Setscrew $\frac{5}{16}$ " B.S.W. x $\frac{5}{8}$ " long, Hex Head	2
12		Nut $\frac{5}{16}$ " B.S.W. Nyloc (NT/V. 106)	2
		Washer $\frac{5}{16}$ " dia.	2
13		'V' Belt (35" o.d. type FHP/4.L./350.)	1
14	26813	Belt Guard (Front Starting)	1
15	26789	Belt Guard (Side Starting)	1
16	26579	Spring Clip	2
17		Setscrew $\frac{7}{16}$ " B.S.F. x $\frac{1}{2}$ " long, Hex. Head	2
		Spring Washer $\frac{5}{16}$ " dia.	2
		Nut $\frac{5}{16}$ " B.S.F.	2
		} For Front Starting Only	
18		Setscrew $\frac{1}{4}$ " B.S.W. x $\frac{5}{8}$ " long, Hex. Head	1
		Spring Washer $\frac{1}{4}$ " dia.	1
		Nut $\frac{1}{4}$ " B.S.W.	1
		} For Side Starting Only	

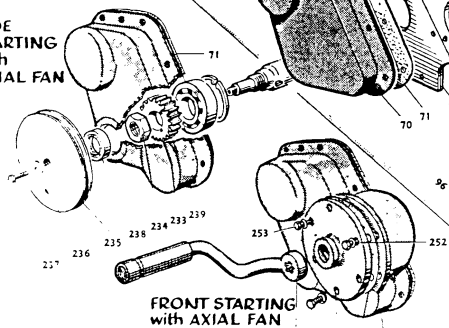
MANIFOLD AND CARBURETTOR

19		Carburettor (Amal No. 348/10 Petrol) (348/12—V.O.) Ref. Illust. Nos. 260—303	1
20		Setscrew, Carb. to Manifold $\frac{5}{16}$ " B.S.W. x $\frac{3}{4}$ " lg. Hex. Hd.	2
		Spring Washer $\frac{5}{16}$ " dia.	2
21	26381	Gasket	1
22	26591	Manifold (Petrol)	1
23	26592	Manifold (V.O. and Lamp Oil)	1
24	26716	Stud	2
25		Nut $\frac{1}{4}$ " B.S.W. Brass	2
26	25649	Gasket—Manifold to Muffler (Petrol and V.O.)	1
	25649	Gasket—Manifold to Muffler (Lamp Oil)	2
27	26701	Spacer (V.O.)	1
	26511	Spacer (Lamp Oil)	1
28	26590	Exhaust Muffler (Flywheel Cooling)	1
29	26773	Exhaust Muffler (Axial Fan Cooling)	1

AXIAL FAN UNIT (FRONT or SIDE STARTING)



SIDE STARTING with AXIAL FAN



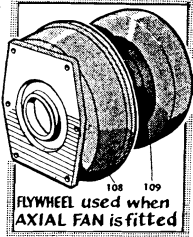
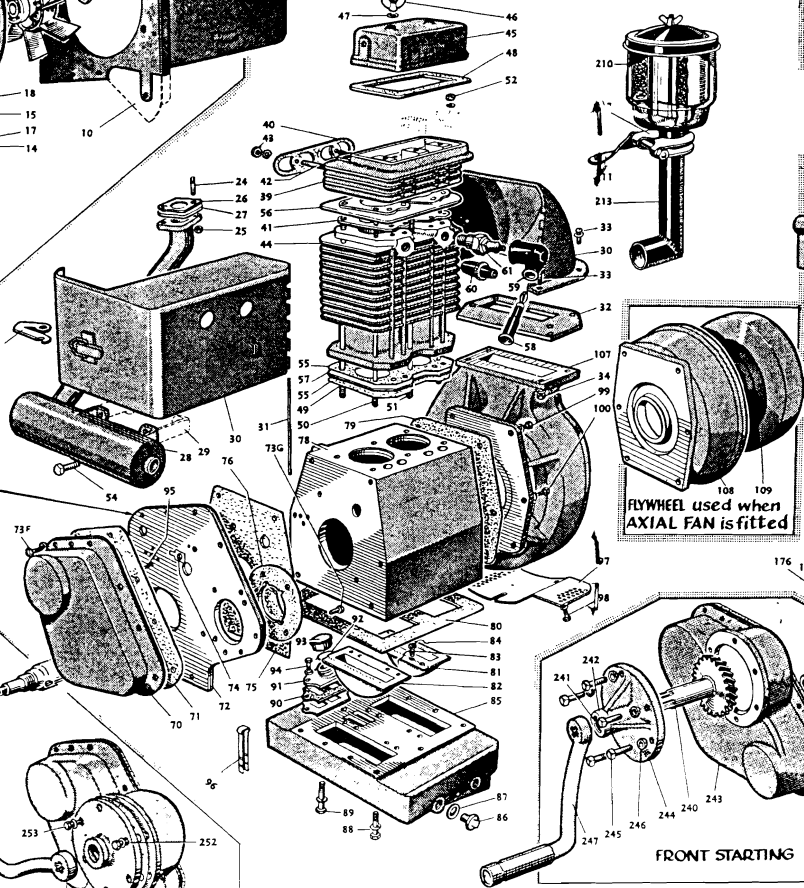
FRONT STARTING with AXIAL FAN

254 251 250 249 248 71

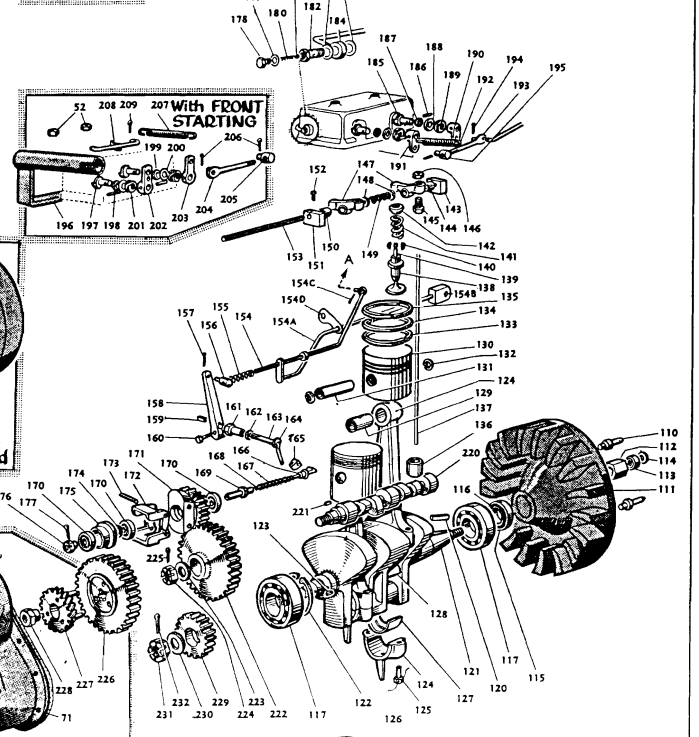
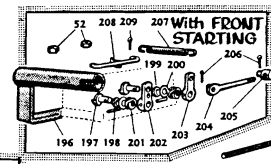
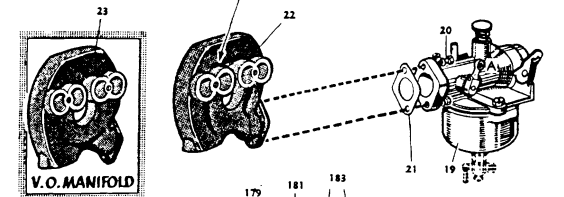
HOWARD TWIN ENGINE

810 cc in line twin cylinder, 360° Crankshaft.

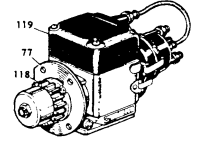
Alternative models for: front or side starting, flywheel or axial fan cooling, petrol or petrol/v.o.



DISTINGUISH PETROL MANIFOLD BY AIR SPACES



FRONT STARTING



ALL PARTS BORDERED THUS ARE ALTERNATIVE

COWLING

Illust. No.	Part No.	Description	No. off.
30	26597	Cowling	1
31	26182	Hinge Rod	1
32	26183	Base Plate	1
33		Setscrew $\frac{1}{4}$ " B.S.W. x $\frac{1}{2}$ " long, Rd. Head	5
		Spring Washer $\frac{1}{4}$ " dia.	5
34		Nut $\frac{1}{4}$ " B.S.W.	1
35—38		Not Allocated	

CYLINDER AND CYLINDER HEAD

39	25825	Cylinder Head	1
40	25276	Manifold Gasket	1
41	25899	Low Compression Gasket (V.O.)	2
42	26073	Manifold Stud	2
		Spring Washer $\frac{5}{16}$ " dia.	2
43		Nut $\frac{5}{16}$ " B.S.F. Brass	2
	26548	Cylinder Assembly (Petrol and V.O.)	1
		comprising:	
44	26549	Cylinder	1
	25274	Push Rod Tube	4
	26509	Cylinder Assembly (Lamp Oil)	1
		comprising:	
44	26514	Cylinder	1
	26518	Push Rod Tube	4
45	26085	Cylinder Head Cover	1
46	25694	Wing Nut	2
47	25578	Fibre Washer	2
48	26471	Cylinder Head Cover Gasket	1
49	25877	Cylinder Stud Short	3
50	25271	Cylinder Stud Long	2
51	25338	Cylinder Stud Medium	1
52		Nut $\frac{3}{8}$ " B.S.F.	6
		Washer $\frac{3}{8}$ " dia.	6
53	26198	Cowl Catch	1
54		Setscrew, Muffler— $\frac{3}{8}$ " B.S.F. x $1\frac{1}{4}$ " long, Hex. Head	2
		Spring Washer $\frac{3}{8}$ " dia.	2
55	25184	Cylinder Block Gasket	1
56	25183	Cylinder Head Gasket	1
57	26419	Low Compression Plate (Lamp Oil only)	1
58		Suppressor, Champion to suit Cover WC.548 (Flywheel Fan)	2
		Suppressor, Champion to suit Cover WC.548. (Axial Fan)	1
		Suppressor, Champion to suit Connector HTC. (Axial Fan)	1
59	25408	Spark Plug Cover and Terminal (Champion) (Flywheel Fan)	2
	25408	Spark Plug Cover and Terminal (Champion) (Axial Fan)	1
60		Spark Plug Connector and Terminal, Champion HTC/WL.548 (Axial Fan)	1
61	25343	Spark Plug, 14 mm. $\frac{1}{2}$ " reach	2
	25344	Spark Plug Washer	2

TIMING CASE

70	25691	Timing Case (Side Starting)	1
71	25192	Timing Case Gasket	1
72	25195	Crankcase End Plate	1
	26823	Crankcase End Plate (Axial Fan, Front Starting)	1
73a		Setscrew $\frac{3}{8}$ " B.S.F. x $1\frac{1}{4}$ " long, Hex. Head	2
73b		Setscrew $\frac{3}{8}$ " B.S.F. x $\frac{5}{8}$ " long, Csk. Head	1

Illust. No.	Part No	Description	No. off.
73c		Setscrew $\frac{3}{8}$ " B.S.F. x $\frac{5}{8}$ " long, Hex. Head	1
73d		Setscrew $\frac{3}{8}$ " B.S.F. x $\frac{7}{8}$ " long, Hex. Head	2
73e		Setscrew $\frac{1}{4}$ " B.S.F. x $\frac{1}{2}$ " long Cheese Head	3
73f		Setscrew $\frac{1}{4}$ " B.S.F. x $\frac{5}{8}$ " long, Cheese Head	5
73g		Setscrew $\frac{1}{4}$ " B.S.F. x $\frac{1}{16}$ " long, Hex. Head	4
73h		Setscrew $\frac{1}{4}$ " B.S.F. x 1" long, Cheese Head	4
		Spring Washer $\frac{1}{4}$ " dia.	16
		Spring Washer $\frac{3}{8}$ " dia.	5
74	25714	Tab Washer	1
75	25196	End Plate Gasket	1
76	25255	Magneto Gasket	1
77	25197	Magneto Flange (Ref. 319)	1
78	26505	Crankcase	1
79	25256	Fan Housing Gasket	1
80	25186	Crankcase to Sump Gasket	1
81	26405	Scoop Trough, Rear	1
82	26403	Scoop Trough, Front	1
83	25334	Special Setscrew	8
84	25335	Locking Wire	2
85	25903	Crankcase Sump	1
86	25258	Sump Drain Plug	2
87	25259	Sump Drain Plug Washer	2
88		Bolt, Sump Corners $\frac{1}{4}$ " B.S.F. x $1\frac{3}{4}$ " long	4
89		Bolt, Sump Intermediate $\frac{1}{4}$ " B.S.F. x 2 $\frac{1}{4}$ " long	6
		Spring Washer $\frac{1}{4}$ " dia.	10
90	25905	Filler Neck to Sump Gasket	1
91	25929	Sump Filler Neck	1
92	26091	Fibre Washer	1
93	22231	Filler Cap	1
94		Setscrew $\frac{5}{16}$ " B.S.F. x $\frac{5}{8}$ " long, Hex Head	2
		Spring Washer $\frac{5}{16}$ " dia.	2
95		Grub Screw 2 BA. x $\frac{5}{16}$ " long	1
96	26630	Oil Level Gauge	1
97	26740	Fan Guard	1
98		Setscrew $\frac{1}{4}$ " B.S.W. x $\frac{1}{2}$ " long, Hex. Head	3
		Spring Washer $\frac{1}{4}$ " dia.	3
99		Setscrew $\frac{3}{8}$ " B.S.F. x $\frac{7}{8}$ " long, Hex. Head	2
100		Setscrew $\frac{3}{8}$ " B.S.F. x 1" long, Hex. Head	4
		Spring Washer $\frac{3}{8}$ " dia	6

Optional
Extra

FLYWHEEL AND MAGNETO

107	25129	Flywheel Housing	1
108	26577	Flywheel Housing (Axial Fan)	1
	26766	Flywheel Rivet Assembly	1
		comprising:—	
109	26768	Flywheel	1
110	26755	Pin	6
	26703	Flywheel Rivet Assembly	1
		comprising:—	
110	26755	Pin	6
111	26704	Flywheel	1
112	25187	Flywheel Nut	1
	26821	Flywheel Nut (Axial Fan)	1
113	BRL.1/2	Ballbearing $\frac{1}{2}$ " i.d. x $1\frac{5}{16}$ " o.d. x $\frac{3}{8}$ " W.	1
114	BJ.8007	Special Washer	1
115		Oilsal $1\frac{3}{8}$ " i.d. x $2\frac{1}{16}$ " o.d. x $\frac{3}{8}$ " W.	1
116	G.330	Shim	as req'd.
117	BRL.1 $\frac{3}{8}$	Ballbearing $1\frac{3}{8}$ " i.d. x 3" o.d. x $\frac{1}{16}$ " W.	2
118	26537	Magneto Pinion (Ref. 316)	1
119		Magneto, WICO Type AW.1483 HZ. (Ref. Illust. Nos. 311 to 351)	1

Flywheel and Magneto (cont.)

Illust. No.	Part No.	Description	No. off.
120	25285	Key	1
121	26084	Crankshaft	1
	26760	Crankshaft (Axial Fan)	1
122		Circlip 3" Internal	1
123	25288	Key, Woodruff No. 60	1
124	25760	Connecting Rod	2
125	25761	Special Bolt	4
126	25333	Locking Wire	2
127	25217	Bottom Half Bearing	2
128	25216	Top Half Bearing	2
129	25242	Gudgeon Pin Bearing	2
	25290	Piston complete	2
		comprising:—	
130	25122	Piston	2
131	25291	Gudgeon Pin	2
132	25292	Circlip	4
133	25294	Piston Ring, Scraper	2
134	25293	Piston Ring	2
135	25787	Piston Ring, Chromium Plated	2
136	25237	Tappet	4
137	25202	Push Rod	4
138	26209	Valve Guide	4
139	25203	Valve	4
140	25239	Valve Split Collet	4
141	25275	Valve Spring	4
142	25249	Valve Collar	4
143	25300	Rocker Shaft Bearing	2
144	25304	Spacer	2
145	25298	Adjusting Screw	4
146		Locknut $\frac{1}{4}$ " B.S.F.	4
147	26086	Rocker complete with Bush	4
148	26089	Washer	4
149	25302	Spring	2
150	25303	Spacer	2
151	25301	Rocker Shaft Centre Bearing	1
152		Setscrew $\frac{1}{4}$ " B.S.F. x $\frac{3}{4}$ " long, Hex. Head	1
153	25299	Rocker Shaft	1

GOVERNOR

154	26417	Governor Arm to Carburettor Rod	1
154a	26696	Cable to Governor Arm Rod	1
154b	26698	Connector	1
154c		Splitpin $1/32$ " dia. x $3/8$ " long	1
154d	26877	Throttle Rod Support	1
155	25603	Spring	1
156	G.789	Trunnion	1
157		Splitpin $1/16$ " dia. x $1/2$ " long	1
158	25594	Lever	1
159	25713	Key	1
160		Setscrew $1/4$ " B.S.F. x $1/2$ " long, Hex. Head	1
161	25317	Sleeve	1
162	25409	Washer	1
163	25248	Cranked Spindle	1
164	25635	Washer (Braze to 25248)	1
165	25247	Trunnion	1
166	25579	Collar	1
167	25245	Spring	1
168	25230	Spindle	1
169	25229	Sleeve	1
170	25354	Ballbearing BRE. $1/2$ "	3

Illust. No.	Part No.	Description	No. off.
	25308	Governor Weight and Pinion	1
		comprising:—	
171	25220	Governor Pinion	1
172	25253	Governor Weight	2
173	25254	Governor Pin	2
174		Circlip, Seegar $\frac{1}{2}$ " dia, External	1
175	25225	Thrust Plate	1
176	25240	Adjusting Nut	1
177		Splitpin $\frac{1}{16}$ " dia. x 1" long	1

BREATHER

178	BJ.8390	Body Plug	1
179		Fibre Washer $\frac{5}{8}$ " o.d. x $\frac{3}{8}$ " i.d. x $\frac{1}{16}$ " W.	1
180	BJ.8420	Spring	1
181	BJ.8411	Valve Ball	1
182	BJ.8380	Body	1
183		Fibre Washer $\frac{7}{8}$ " o.d. x $\frac{1}{2}$ " i.d. x $\frac{1}{16}$ " W.	2
184	BJ.8400	Breather Tube	1

DECOMPRESSION CONTROL—For Side Starting

185	25966	Cam	2
186	25587	Mills Pin, Type G.P.3. $\frac{3}{32}$ " dia. x $\frac{1}{2}$ " long	2
187	25409	Washer	2
188		Flat Washer $\frac{1}{4}$ " dia.	2
189		Thackeray Washer $\frac{1}{4}$ " dia.	2
190	25581	Lever	1
191	26852	Lever	1
192	G.831	Spring	1
193	26757	Connecting Link	1
194		Spilt Pin $\frac{1}{16}$ " dia. x $\frac{1}{2}$ " long	2
195	25715	Trunnion	1

DECOMPRESSION CONTROL—For Front Starting

196	26850	Tube Support	1
197	25966	Cam	2
198	25587	Mills Pin, Type G.P.3. $\frac{3}{32}$ " dia. x $\frac{1}{2}$ " long	2
199	25409	Washer	2
200		Flat Washer $\frac{1}{4}$ " dia.	2
201		Thackeray Washer $\frac{1}{4}$ " dia.	2
202	25581	Lever	1
203	26852	Lever	1
204	26854	Connecting Link	1
205	25715	Trunnion	1
206		Splitpin $\frac{1}{16}$ " dia. x $\frac{1}{2}$ " long	2
207	G.831	Spring	1
208	26458	Trigger Link	1
209		Splitpin $\frac{3}{32}$ " dia. x $\frac{5}{8}$ " long	1

AIR CLEANER

210	26691	Air Cleaner, A.C. DELCO, Series BZ. No. 7222545	1
211	26404	Stay	1
212	26692	Clip	1
213	26407	Air Cleaner Tube	1
214—219		Not allocated	

CAMSHAFT

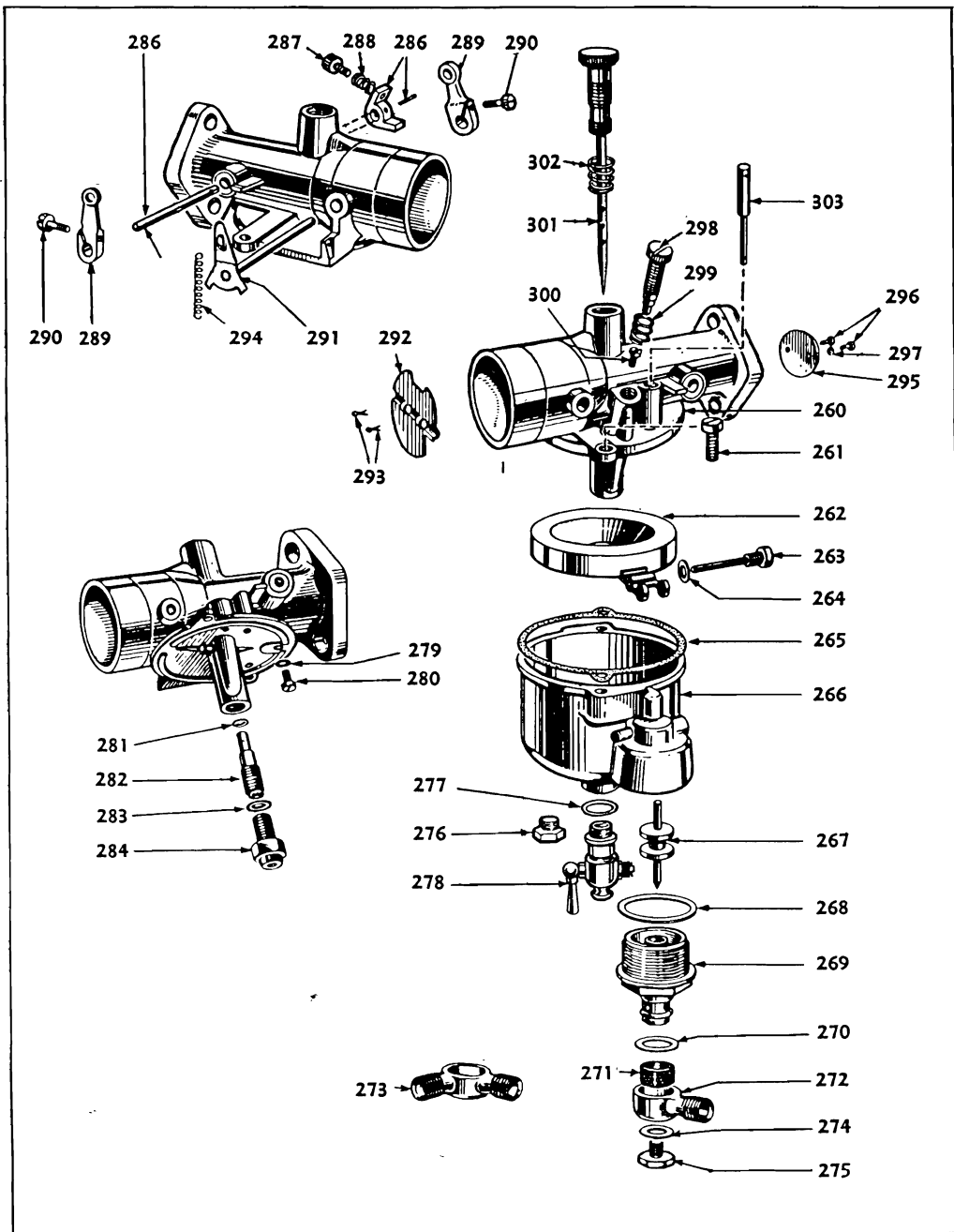
Illust. No.	Part No.	Description	No. off.
220	26176	Camshaft	1
221	25307	Key	1
222	25204	Timing Gear	1
223		Washer $\frac{9}{16}$ " dia.	1
224		Nut $\frac{9}{16}$ " B.S.F. Slotted	1
225		Splitpin $\frac{1}{8}$ " dia. x $1\frac{1}{4}$ " long	1
226	25764	Timing Gear	1
227	25767	Starter Gear	1
228	25771	Retaining Nut	1
229	25194	Timing Pinion	1
230		Washer $\frac{5}{8}$ " dia.	1
231		Nut $\frac{5}{8}$ " B.S.F. Slotted	1
232		Splitpin $\frac{1}{8}$ " dia. x $1\frac{1}{4}$ " long	1
233	26767	Timing Pinion	1
234	26769	Special Nut	1
235	26770	Drive Pulley	1
236	26825	Special Washer	1
237		Setscrew $\frac{3}{8}$ " B.S.F. x $1\frac{1}{4}$ " long, Hex. Head	1
238		Oilseal 187.112.37/12P	1
239	26810	Timing Case—For Axial Fan, Side Starting	1
240	26717	Starter Shaft	1
241		Oilseal 150.100.25/19R	1
242	14089	Dust Cap	1
243	25762	Timing Case	1
244	26719	Starter Shaft Housing	1
245		Setscrew $\frac{1}{4}$ " B.S.F. x $\frac{5}{8}$ " long, Hex. Head	6
246		Spring Washer $\frac{1}{4}$ " dia.	6
247	25775	Starting Handle	1
248	26750	Timing Case	1
249	26829	Starter Shaft Housing Gasket	1
250	26751	Starter Shaft Housing	1
251		Setscrew $\frac{1}{4}$ " B.S.F. x 1" long, Hex. Head	1
252		Setscrew $\frac{1}{4}$ " B.S.F. x $\frac{3}{4}$ " long, Hex. Head	1
253		Setscrew $\frac{1}{4}$ " B.S.F. x $\frac{5}{8}$ " long, Hex. Head	4
		Spring Washer $\frac{1}{4}$ " dia.	6
254	26826	Starting Handle	1

FUEL TANK—PETROL

26598		Petrol Tank	1
		Petrol Filter (WIPAC Type 50.)	1
G.172		Tank Cap	1
		Sealing Washer (WIPAC Type 03178.)	1
26899		Fibre Washer	1
26892		Fuel Pipe	1
		Banjo (AMAL Part No. 348/014.)	1
		Plug (AMAL Part No. 348/039.)	1

FUEL TANK—T.V.O. and LAMP OIL

26588		Fuel Tank	1
		Filter (WIPAC Type 50.)	2
G.172		Tank Cap	2
		Sealing Washer (WIPAC Type 03178.)	2
26899		Fibre Washer	2
26889		Fuel Pipe	1
26892		Fuel Pipe—Short	1
		Banjo 90° (AMAL Part No. 348/038)	1
		Drain Tap (AMAL Part No. 425/1)	1



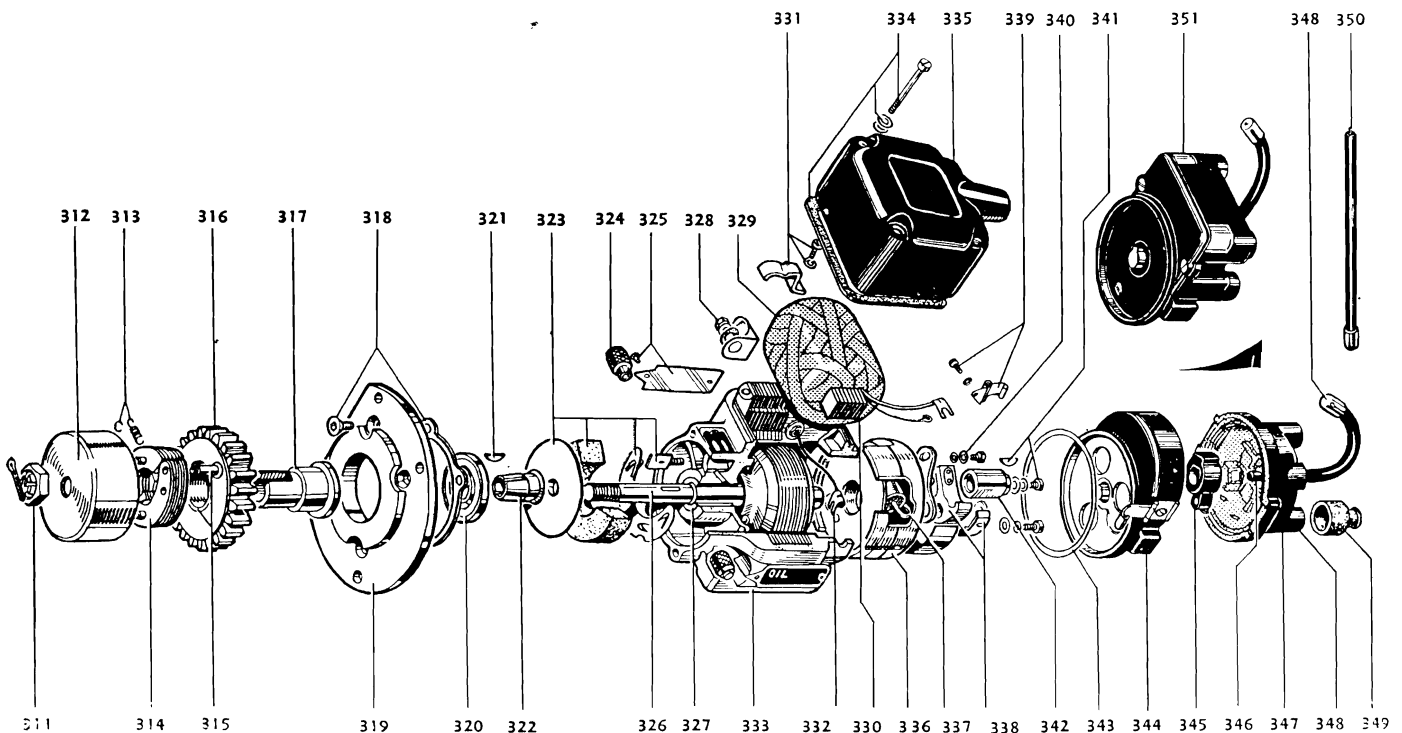
CARBURETTOR

Carburettor (ref. illustration No. 19, Page 9) comprising:—

260	348/051	Mixing Chamber Body	1
261	343/015	Float Chamber Securing Screw	2
262	343/095	Float complete (including Pivot)	1
263	343/094	Float Pivot Spindle	1
264	116/162	Float Pivot Spindle Washer	1
265	343/014	Float Chamber Seal Washer	1
266	343/088	Float Chamber Bowl	1
267	343/090	Float Needle	1
268	343/096	Float Needle Seating Washer	1
269	343/089	Float Needle Seating	1

Carburettor (Cont.)

Illust. No.	Part No.	Description	No. off.
270	13/437	Banjo Washer	1
271	343/039	Filter Gauze	1
272	348/014	Banjo (Petrol)	1
273	348/038	Banjo (V.O.)	1
274	95/035	Banjo Bolt Washer	1
275	343/049	Banjo Bolt	1
276	333/006	Float Chamber Drain Plug	1
277	13/163	Float Chamber Drain Plug Washer	1
278	425/1	Drain Tap (V.O.)	1
279	14/189	Pilot Plug Screw Washer	1
280	23/180	Pilot Plug Screw	1
281	343/017	Choke Seating Washer	1
282	348/010	Choke Tube	1
283	116/124	Jet Holder Washer	1
284	348/037	Adjustable Main Jet	1
285	Not allocated		
286	348/044	Throttle Spindle and Stop	1
287	333/023	Throttle Stop Screw	1
288	125/155	Throttle Stop Screw Spring	1
289	332/020	Throttle Lever	2
290	124/013	Throttle Lever Securing Screw	2
291	348/042	Strangler Lever and Spindle	1
292	348/011	Strangler Valve	1
293	13/168	Strangler Valve Cotter Pin	1
294	225/064	Strangler Spring	1
295	348/004	Throttle Valve	1
296	227/005	Throttle Valve Screw	2
297	227/007	Throttle Valve Screw Washer	2
298	343/028	Air Adjusting Screw	1
299	343/029	Air Adjusting Screw Spring	1
300	124/026	Pilot Jet	1
301	348/036	Air Bleed Assembly	1
302	198/012	Main Jet Adjuster Spring	1
303	348/029	Air Bleed Stand Pipe	1



MAGNETO

Magneto Wico Type AW.1483 HZ. (Illust. No. 119)

	S.0031	Auto Advance and Retard Drive Unit	1
		comprising:—				
311	S.0025	Nut Set	1
312	S.0026	Cover Set (includes S.0025)	1
313	S.0028	Spring and Circlip Set	1
314	S.0030	Flywheel Set	1
315	S.0024	Pivot Pin and Bush Set	1
316	S.0029	Gear Wheel Assembly (Includes S.0024.) (Ref. Illust. No. 118)	1
317	S.0027	Taper Adaptor Sleeve	1
	ZX.153	End Plate Set	1
		comprising:—				
318	S.0033	End Plate Fixing Set	4
319	FX.153	End Plate Group (Ref. Illust. No. 77.)	1
320	B.33.X.	Oilseal	1
	S.0035	Taper Set	1
		comprising:—				
321	1146C	Key	1
322	A.113XC	Taper Adaptor	1
323	X.1669C	Oiling Disc Unit	1
324	06391	Oiler Set	2
325	06393	Oil Instruction Plate Set	2
326	06289	Rotor	1
327	06392	Bearing Set	1
328	B.140.X	Stop Button Unit	1
	00138	Coil and Core Unit	1
		comprising:—				
329	00137	Coil Group	1
330	X.1409	Core Group	1
331	06399	Coil Fixing Set	1
332	06390	Ground Lead Set	1
333	01569	Main Housing Unit	1
334	06406	Cover Fixing Set	4
335	X.1412	Cover Unit (Includes 06406)	1
	X.1415	Breaker Box Unit	1
		comprising:—				
336	X.2175	Breaker Box	1
337	06400	Condenser Set	1
338	06401	Contact Set	1
339	S.0039	Gear Housing Fixing Set	2
340	06402	Box Screws and L.W. Set	1
	X.1588	Breaker Cam Unit	1
		comprising:—				
341	06407	Fixing Set	1
342	1372	Breaker Cam	1
	X.2090	Gear Housing Unit	1
		comprising:—				
343	2072	Gasket	1
344	X.2086	Gear Housing Assembly (Includes 16X477B.)	1
345	16X.477.B.	Distributor Arm	1
	X.1619.B.	Distributor Cap Unit	1
		comprising:—				
346	00590	Carbon Brush and Spring Set	1
347	X.1622.B.	Distributor Cap Group	1
348	X.1615.Z.	Interlead Group	1
349	S.0034	Rubber Protector Set	4
350	IKFP.121	H.T. Lead Wire Group 16"	1
351	S.0535	Gear Housing (Alternative fitment)	1

Numerical Parts List

Part No.	Illus. No.	Part No.	Illus. No.	Part No.	Illus. No.	Part No.	Illus. No.	Part No.	Illus. No.
G.172 ...	N.I.	25249 ...	142	25581 ...	190	26403 ...	82	26766 ...	109
G.330 ...	116	25253 ...	172	25581 ...	202	26404 ...	211	26767 ...	233
G.789 ...	156	25254 ...	173	25587 ...	186	26405 ...	81	26768 ...	109
G.831 ...	192	25255 ...	76	25587 ...	198	26407 ...	213	26769 ...	234
G.831 ...	207	25256 ...	79	25594 ...	158	26417 ...	154	26770 ...	235
BJ.8007	114	25258 ...	86	25603 ...	155	26419 ...	57	26773 ...	29
BJ.8380	182	25259 ...	87	25635 ...	164	26458 ...	208	26778 ...	7
BJ.8390	178	25271 ...	50	25649 ...	26	26471 ...	48	26781 ...	10
BJ.8400	184	25274 ...	44	25691 ...	70	26505 ...	78	26789 ...	15
BJ.8411	181	25275 ...	141	25694 ...	46	26509 ...	44	26807 ...	6
BJ.8420	180	25276 ...	40	25713 ...	159	26511 ...	27	26808 ...	1
14089 ...	242	25285 ...	120	25714 ...	74	26514 ...	44	26809 ...	8
22231 ...	93	25288 ...	123	25715 ...	195	26518 ...	44	26810 ...	239
25122 ...	130	25290 ...	130	25715 ...	205	26537 ...	118	26813 ...	14
25129 ...	107	25291 ...	131	25760 ...	124	26548 ...	44	26820 ...	9
25183 ...	56	25292 ...	132	25761 ...	125	26549 ...	44	26821 ...	112
25184 ...	55	25293 ...	134	25762 ...	243	26577 ...	108	26823 ...	72
25186 ...	80	25294 ...	133	25764 ...	226	26579 ...	16	26825 ...	236
25187 ...	112	25298 ...	145	25767 ...	227	26588 ...	N.I.	26826 ...	254
25192 ...	71	25299 ...	153	25771 ...	228	26590 ...	28	26829 ...	249
25194 ...	229	25300 ...	143	25775 ...	247	26591 ...	22	26850 ...	196
25195 ...	72	25301 ...	151	25787 ...	135	26592 ...	23	26852 ...	191
25196 ...	75	25302 ...	149	25825 ...	39	26597 ...	30	26852 ...	203
25197 ...	77	25303 ...	150	25877 ...	49	26598 ...	N.I.	26854 ...	204
25202 ...	137	25304 ...	144	25899 ...	41	26630 ...	96	26877 ...	154d
25203 ...	139	25307 ...	221	25903 ...	85	26691 ...	210	26889 ...	N.I.
25204 ...	222	25308 ...	171	25905 ...	90	26692 ...	212	26892 ...	N.I.
25209 ...	138	25317 ...	161	25929 ...	91	26696 ...	154a	26899 ...	N.I.
25216 ...	128	25333 ...	126	25966 ...	185	26698 ...	154b		
25217 ...	127	25334 ...	83	25966 ...	197	26701 ...	27		
25220 ...	171	25335 ...	84	26073 ...	42	26703 ...	111	Bearings	
25225 ...	175	25338 ...	51	26084 ...	121	26704 ...	111	BRE $\frac{1}{2}$	170
25229 ...	169	25343 ...	61	26085 ...	45	26716 ...	24	BRL $\frac{1}{2}$	113
25230 ...	168	25344 ...	61	26086 ...	147	26717 ...	240	BRL $1\frac{3}{8}$	117
25237 ...	136	25354 ...	170	26089 ...	148	26719 ...	244	DN.2062	4
25239 ...	140	25408 ...	59	26091 ...	92	26740 ...	97	Oilseals	
25240 ...	176	25409 ...	162	26176 ...	220	26750 ...	248	150.100.25/	
25242 ...	129	25409 ...	187	26182 ...	31	26751 ...	250	19R	241
25245 ...	167	25409 ...	199	26183 ...	32	26755 ...	110	187.112.37/	
25247 ...	165	25578 ...	47	26198 ...	53	26757 ...	193	12P	238
25248 ...	163	25579 ...	166	26381 ...	21	26760 ...	121	262.137.37	
									115